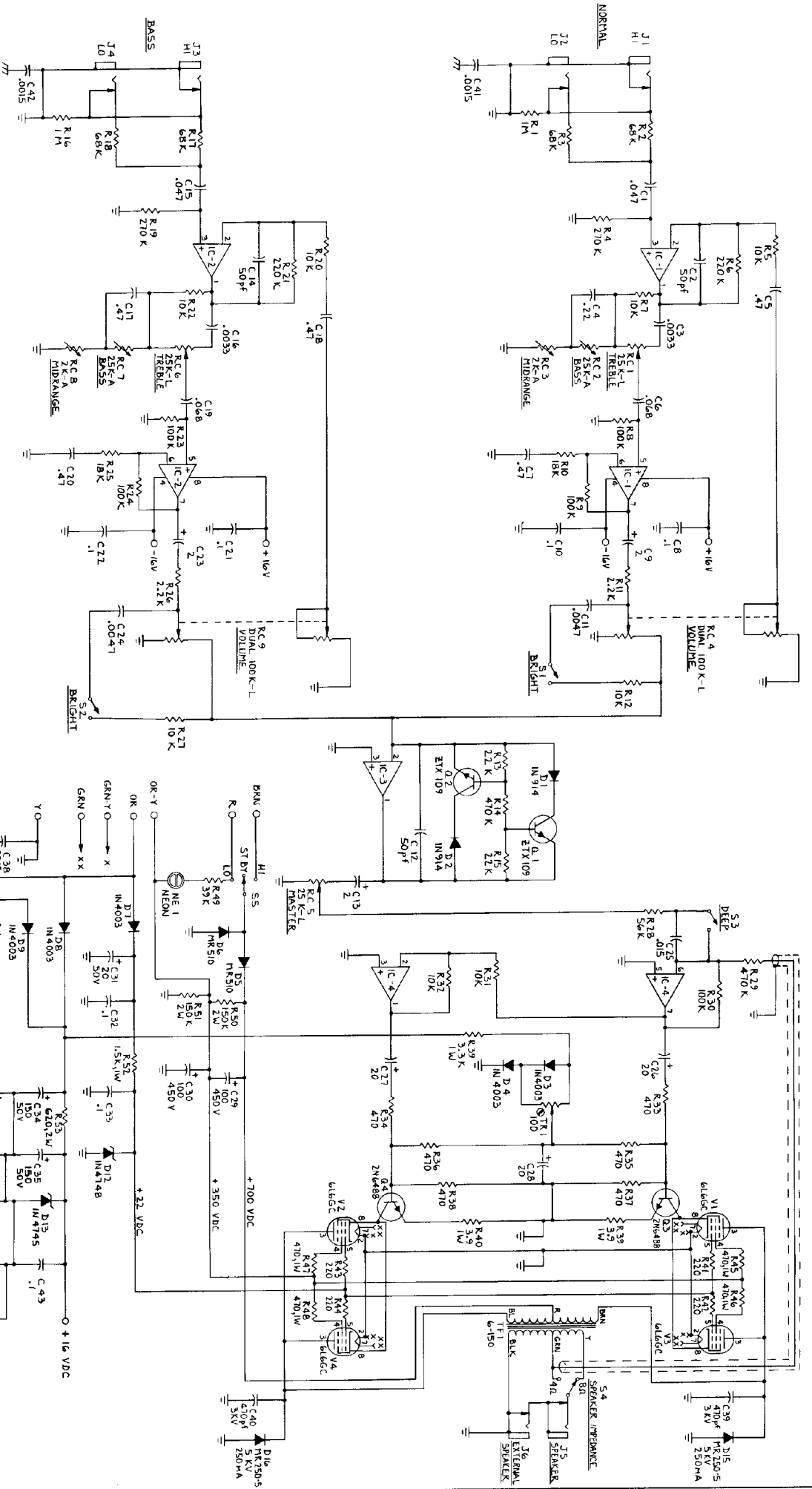


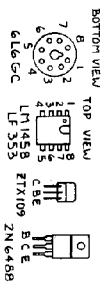


Amplifier Schematics

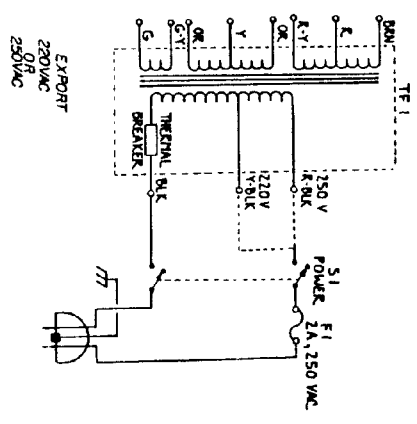
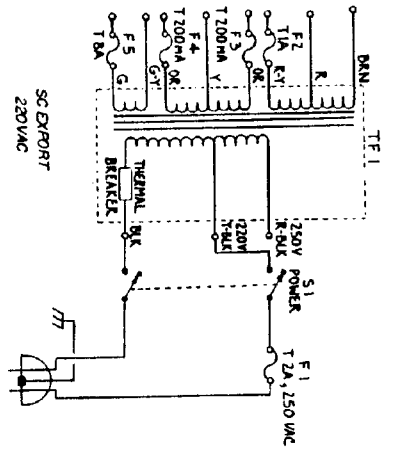
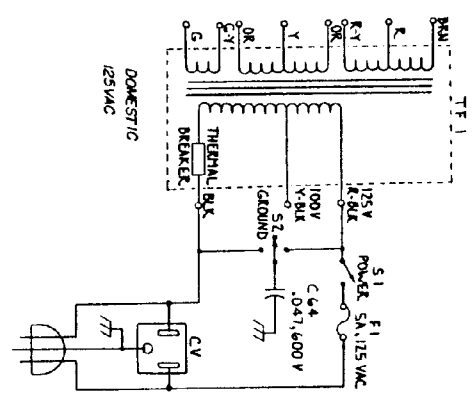
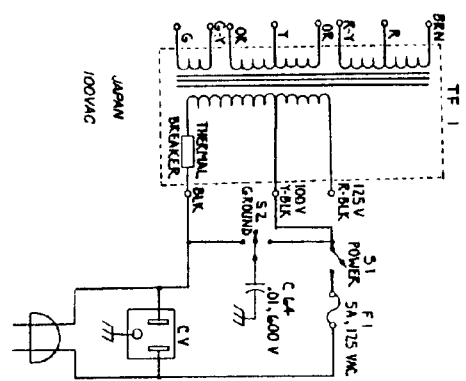
Chassis Number: 2100-150



NOTE: 1. ALL RESISTANCE VALUES ARE IN OHMS (Ω), ¼ WATT, EXCEPT WHERE NOTED.
 2. IC 1, 5, 1, 7, 1, 3 ARE LF 353 OR TL072; IC 4 IS LM 1458.
 3. ALL CAPACITANCE VALUES ARE IN MICROFARADS (µF) EXCEPT WHERE NOTED.



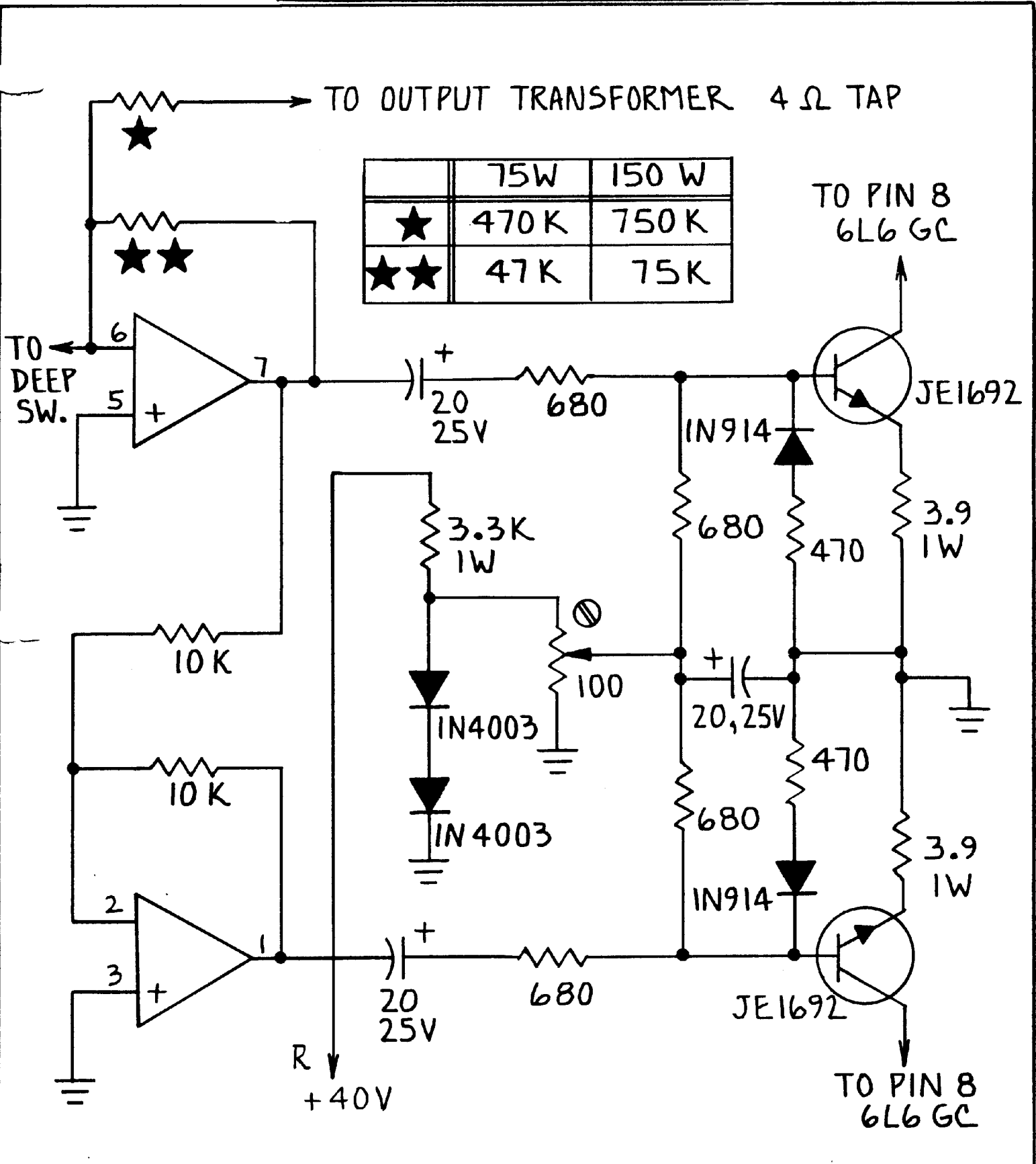
DRAWN BY	REV	DATE	SCALE	BY
CHKD BY	REV	DATE	SCALE	BY
DESIGNED BY	REV	DATE	SCALE	BY
APPROVED BY	REV	DATE	SCALE	BY
MUSIC MAN INC. ANN ARBOR, MI		SCHEMATIC DIAGRAM - BB-3 AMPLIFIER, 150W		
REV 7-8-88		DRAWING NO. 7001		



- TF 1 PART NUMBERS
- 100-65 — 6.5 W, 75 W, 100-125 VAC
 - 100-65-250 — 6.5 W, 75 W, 220-250 VAC
 - 200-130 — 100 W, 150 W, 100-115 VAC
 - 200-130-250 — 100 W, 150 W, 220-250 VAC

POWER TRANSFORMER DIAGRAM	
Part No.	5002
Manufacturer	MUSIC MAN INC.
Location	ANN ARBOR, MI.

DB~4 SCHEMATIC



NOTE: THIS SCHEMATIC SHOWS MODIFIED DRIVER SECTION IN AMPLIFIERS CONTAINING DB-4 DRIVER BOARD.