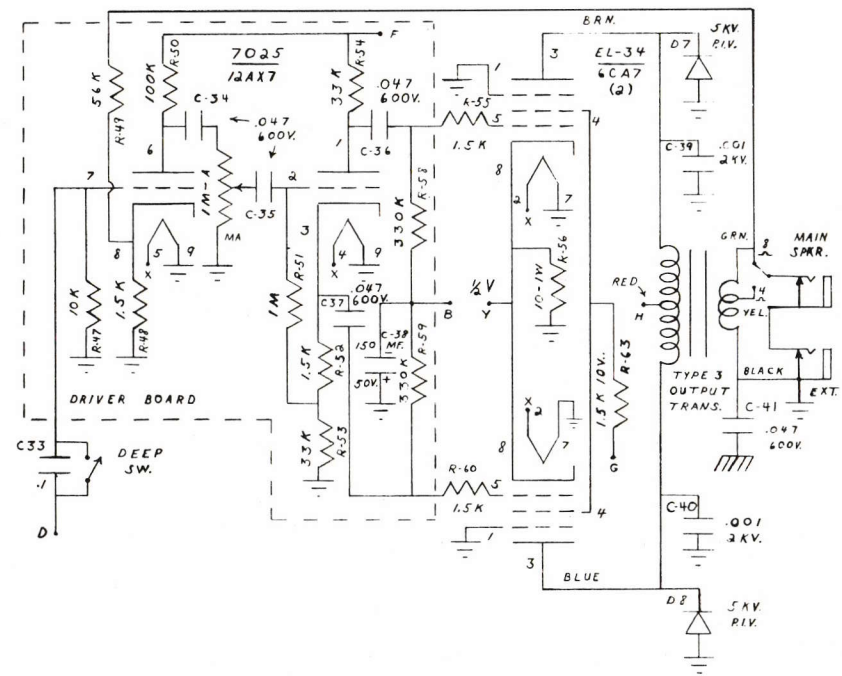
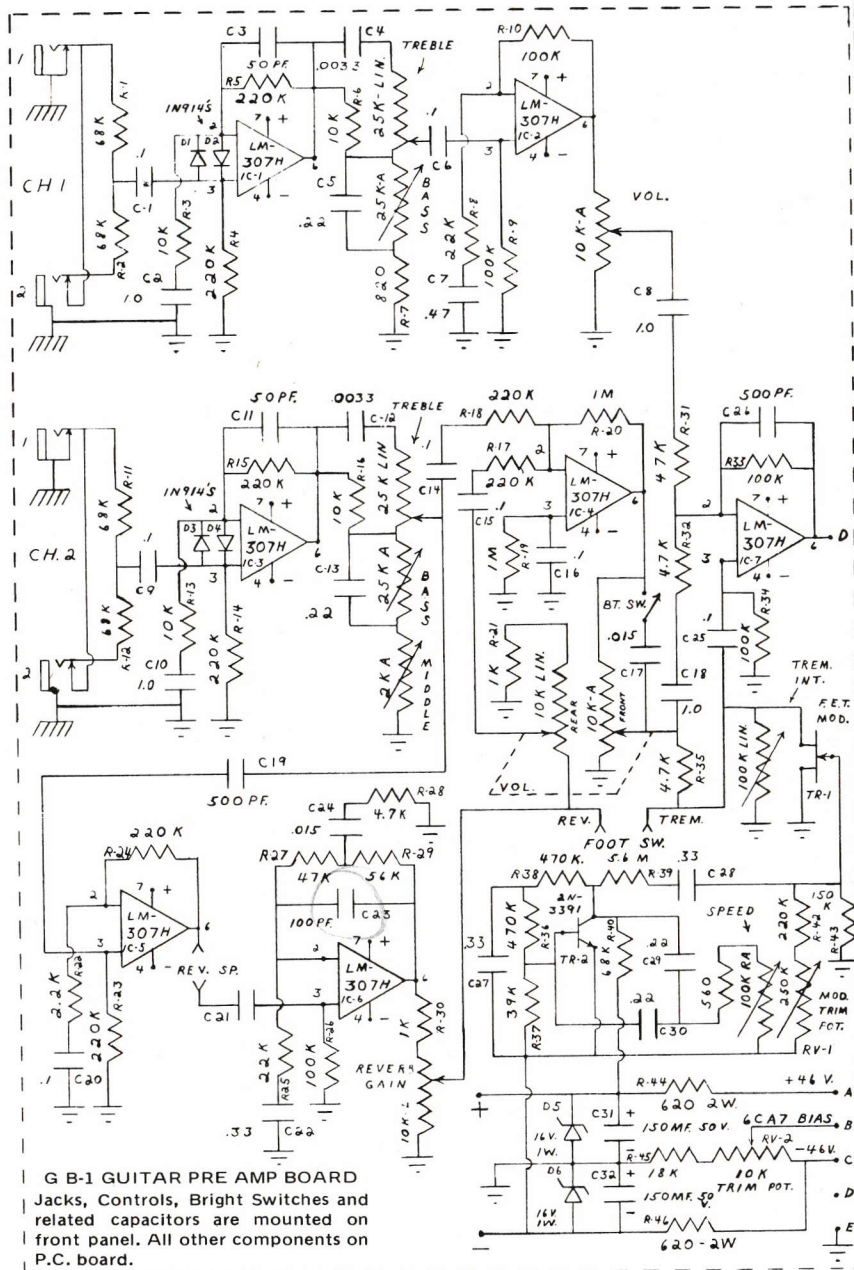
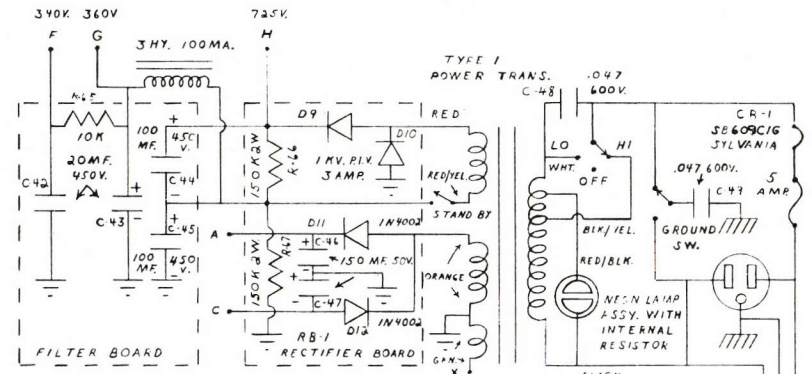


CHASSIS NO. 2275-65



CHASSIS NO. 2275-65 MUSIC MAN, INC. ANAHEIM, CALIFORNIA



CAUTION: 725 VOLTS PRESENT

1. Make certain high voltage capacitors are discharged before servicing. If in doubt short point "H" to ground.
2. All voltages measured with zero signal and power switch in high power position.
3. Unless designated otherwise capacitors are in mfd. and resistors 1/2 watt 10%.
4. Adjust 6CA7 bias trim pot so that exactly 1/2 volt is read at point "Y" (zero signal).